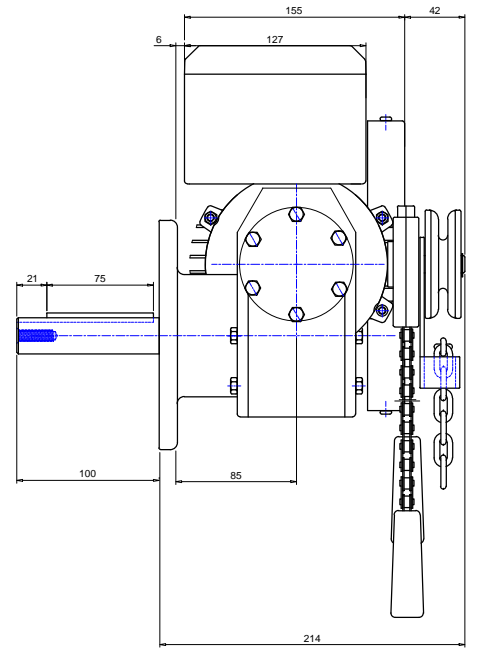
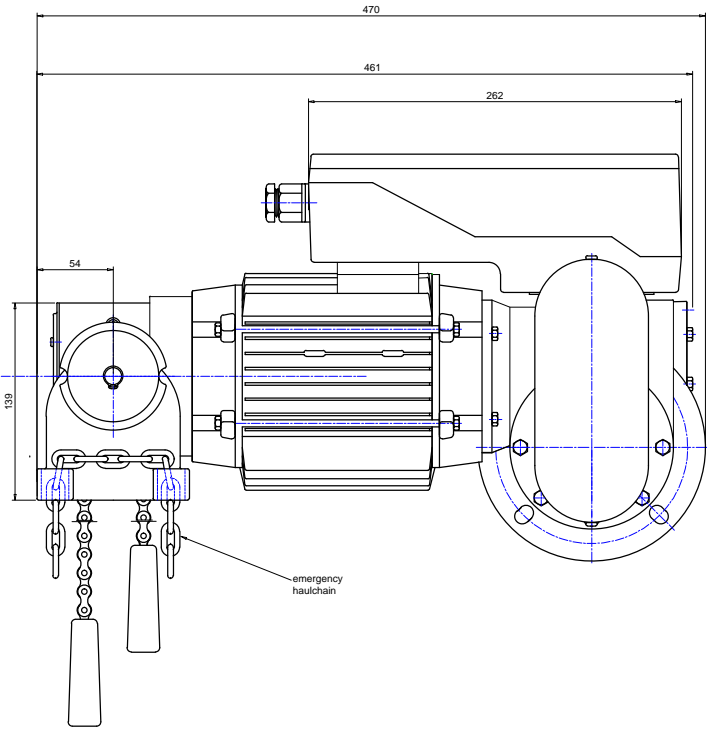


DETAIL OF HAILCHAIN  
Finish - electro plate



Torque	Volts	Phases	Power (W)	F.L.C
160Nm	415V	3ph - 50Hz	750	2.6A
IP	Ins	Rating	Limit Turns	Output
54	'B'	60%		28 rpm

**ELLARD**  
 Roundthorne Industrial Estate  
 Ellard House, Floats Road  
 Wythenshawe, Manchester  
 M23 9WB  
 Tel: 0161 945 4561, e-mail: technical@ellard.co.uk

*This drawing is the property of ELLARD LTD, it may not be reproduced without the written authorization of Ellard Limited. All intellectual property rights are expressly reserved*

<b>Title</b>	<b>Rev/Notes</b>
F160 CBKE FLANGE OPERATOR GENERAL ARRANGEMENT (1)	

<b>Date</b>	01/07/2021		
<b>Drawn by</b>	DE	<b>Chk'd by</b>	AP
<b>Drg #</b>	F160 CBKE-General Arr (1)		