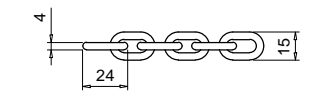
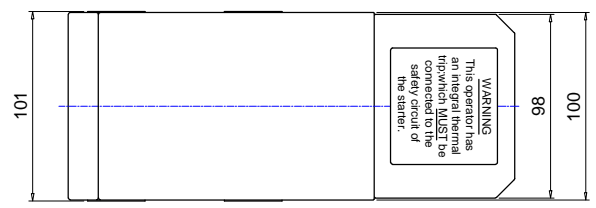
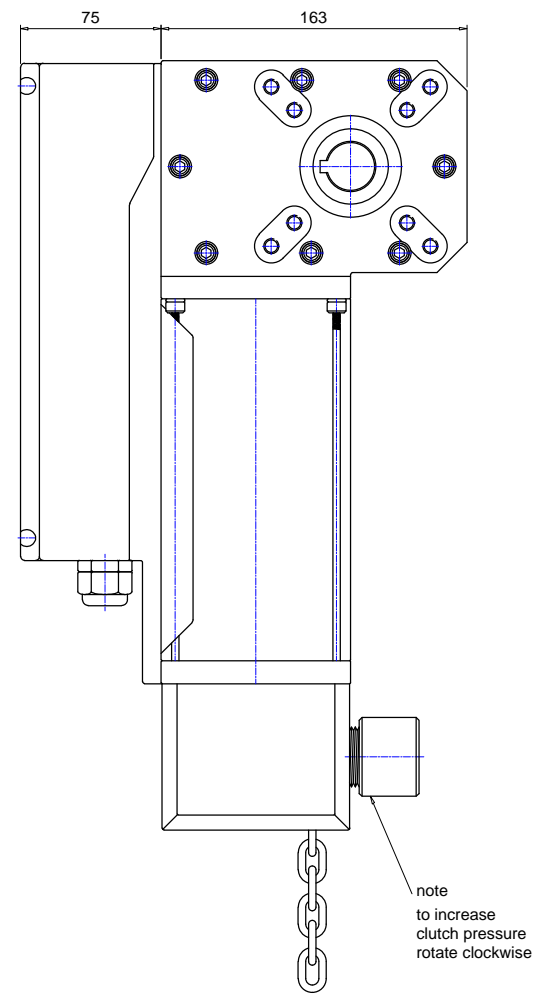
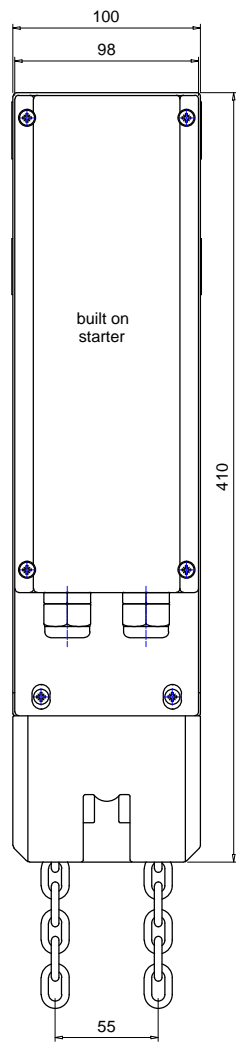
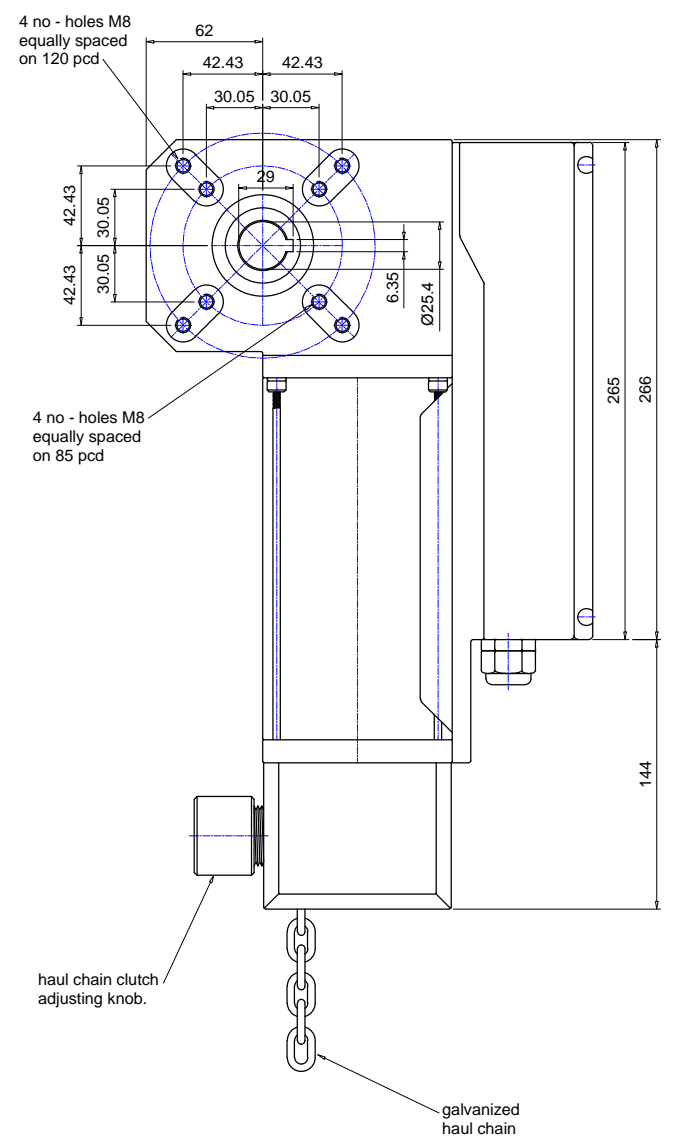


Torque	Volts	Phases	Power	F.L.C
70Nm	230V	1ph - 50Hz	370W	6A
IP	Ins	Rating	Limit Turns	Output
		S3 - 60%		24 rpm



DETAIL OF EMERGENCY HAULCHAIN



*This drawing is the property of ELLARD LTD, it may not be reproduced without the written authorization of Ellard Limited. All intellectual property rights are expressly reserved*

**Title**  
GENERAL ARRANGEMENT FOR SD120 CKE

**Rev/Notes**

Date	01/07/2021	
Drawn by	DE	
Chk'd by	AP	
Drq #	SD120 CKE General Arr (1)	

**ELLARD**  
Roundthorne Industrial Estate  
Ellard House, Floats Road  
Wythenshawe, Manchester  
M23 9WB  
Tel: 0161 945 4561, e-mail: technical@ellard.co.uk