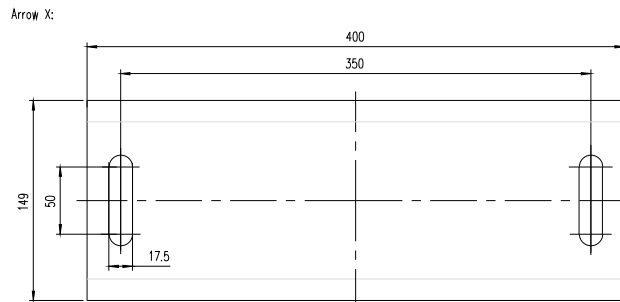
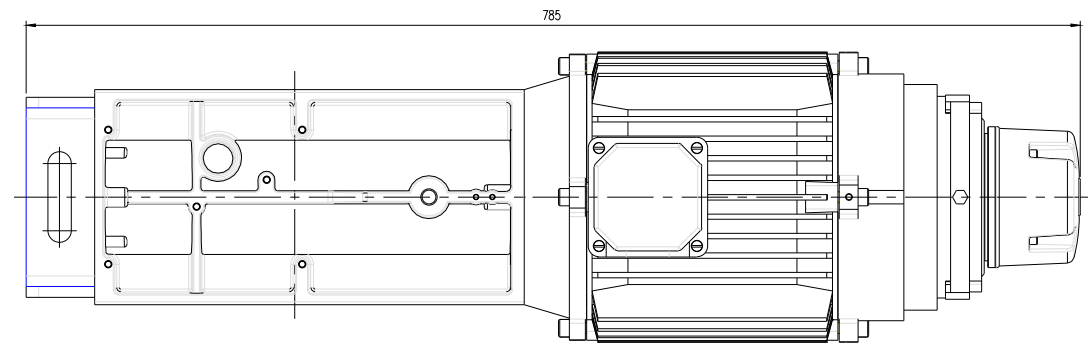
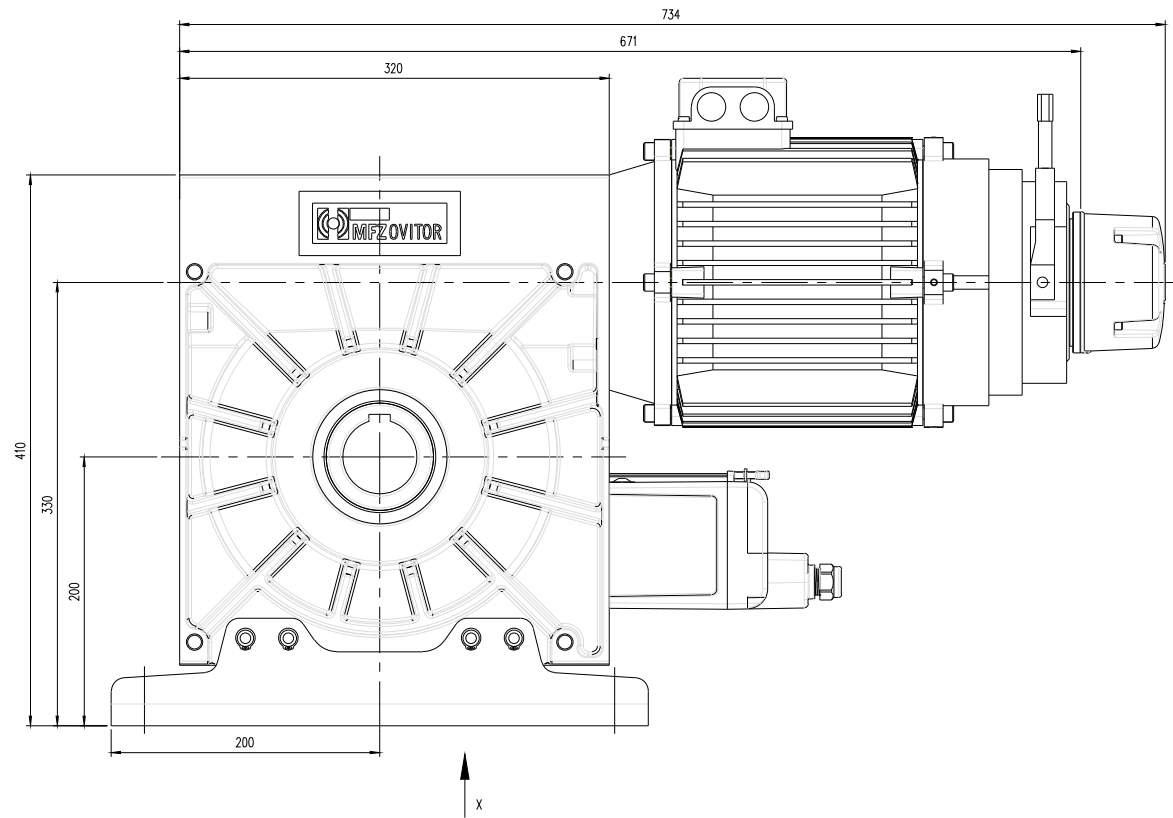


Bore Detail  
Scale 1:1



Specifications:				ELLARD		Drg No:	
400/3~	50	13.2	5.5	Roundthorne Industrial Estate Elard House, Floats Road Wyhenshawe, Manchester M23 9WB Tel: 0161 945 4561, e-mail: technical@ellard.co.uk	Model:		
1650	24	60	54		MDF70-165-24 KE		
Barnel Rev	Temp (°C)			Dimensions	millimeters	Scale	
36	-20/+60			Drawn By		Approved	
				Date	13/12/2021		