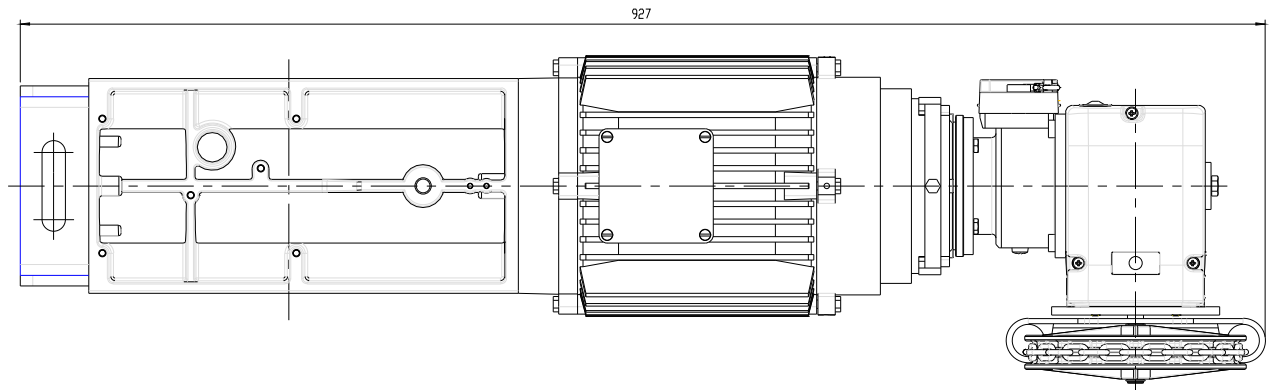
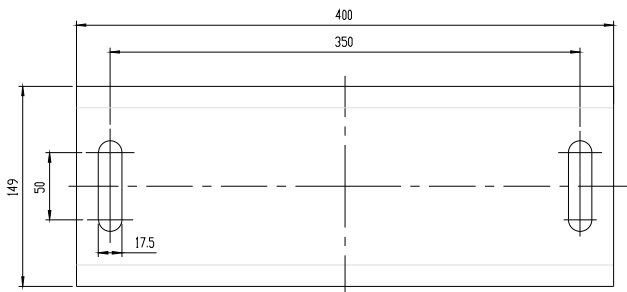


Bore Detail
Scale 1:1

Arrow X



Specifications:			
Voltage (V)	Freq (Hz)	Amps	Power (KW)
400/3~	50	10.5	4.0
Torque(Nm)	Speed (RPM)	Rating (%)	IP
1250	24	60	54
Barnel Rev	Temp (°C)		
36	-20+60		

ELLARD

Roundthorne Industrial Estate
Ellard House, Floats Road
Wythenshawe, Manchester
M23 9WB
Tel: 0161 945 4561, e-mail: technical@ellard.co.uk

Dwg No:		
MDF70-125-24 KE		
Dimensions	millimeters	Scale
Drawn By		Approved
Date	13/12/2021	