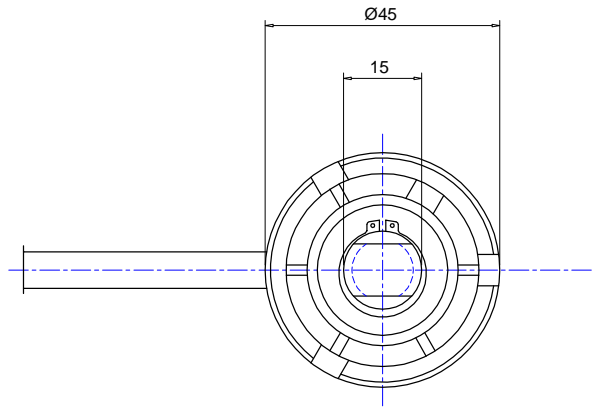


VIEW ON ARROW "A"



VIEW ON ARROW "B"

SPECIFICATIONS

Reference	Output torque	Voltage	Cycles	Power input	Full load current	Output speed	Rating	Protection	Limit turns
ED45/50(W)	50Nm	230V	50Hz	205watts	0.92amps	12rpm	4mins	IP44	22

ellard

Tel 0161 945 4561
 Fax 0161 945 4566
 E-mail sales@ellard.co.uk

Dallimore Road,
 Roundthorn Industrial Estate,
 Wythenshawe,
 Manchester,
 M23 9NX.

Revision

Title

ED45 50Nm DOOYA tube motor
 without manual override.

Date

23/6/2011

Dwn by

Ron Swift

Ch'k'd by

Dave Hall

Dwg #

RS/TM/ED45/10551/001