
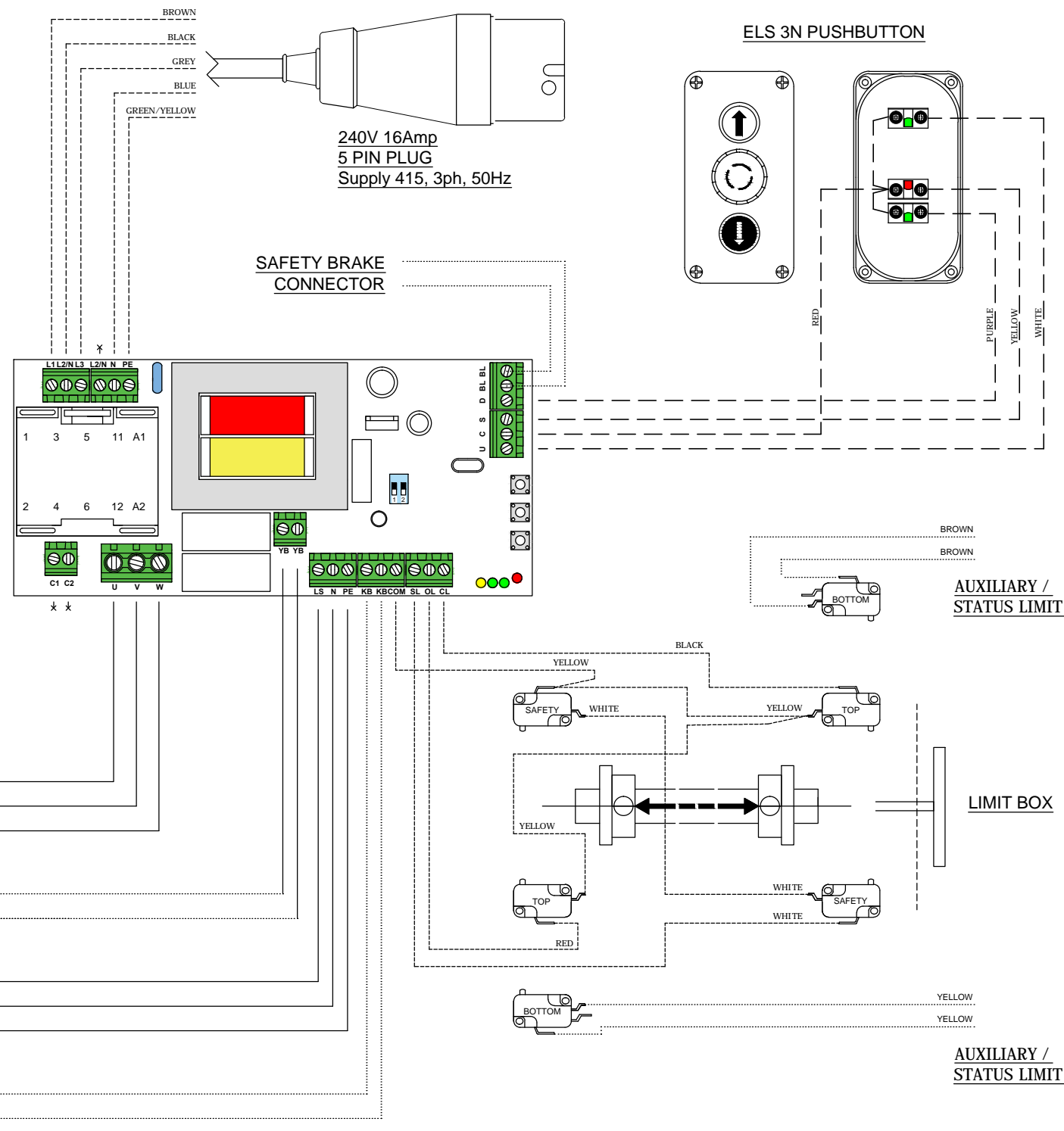


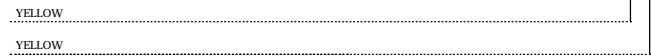
| | |
|--|--|
| Title | |
| JM200 (Monitored PCB) Connection Detail for | |
| Date | 01/7/2021 |
| Dwn by | DE |
| Chk'd by | AP |
| Drg # | JM200 (Monitored PCB) - Connection Detail |
|  | |
| Roundthorne Industrial Estate Ellard House, Floats Road Wythenshawe, Manchester M23 9WB Tel: 0161 945 4561, e-mail: technical@ellard.co.uk | |



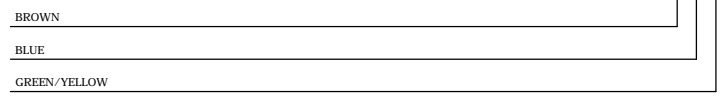
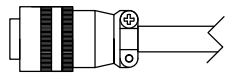
**MOTOR
WINDINGS**



BRAKE



**SOLENOID
RESET
CONNECTOR**



**THERMAL
FUSE**

