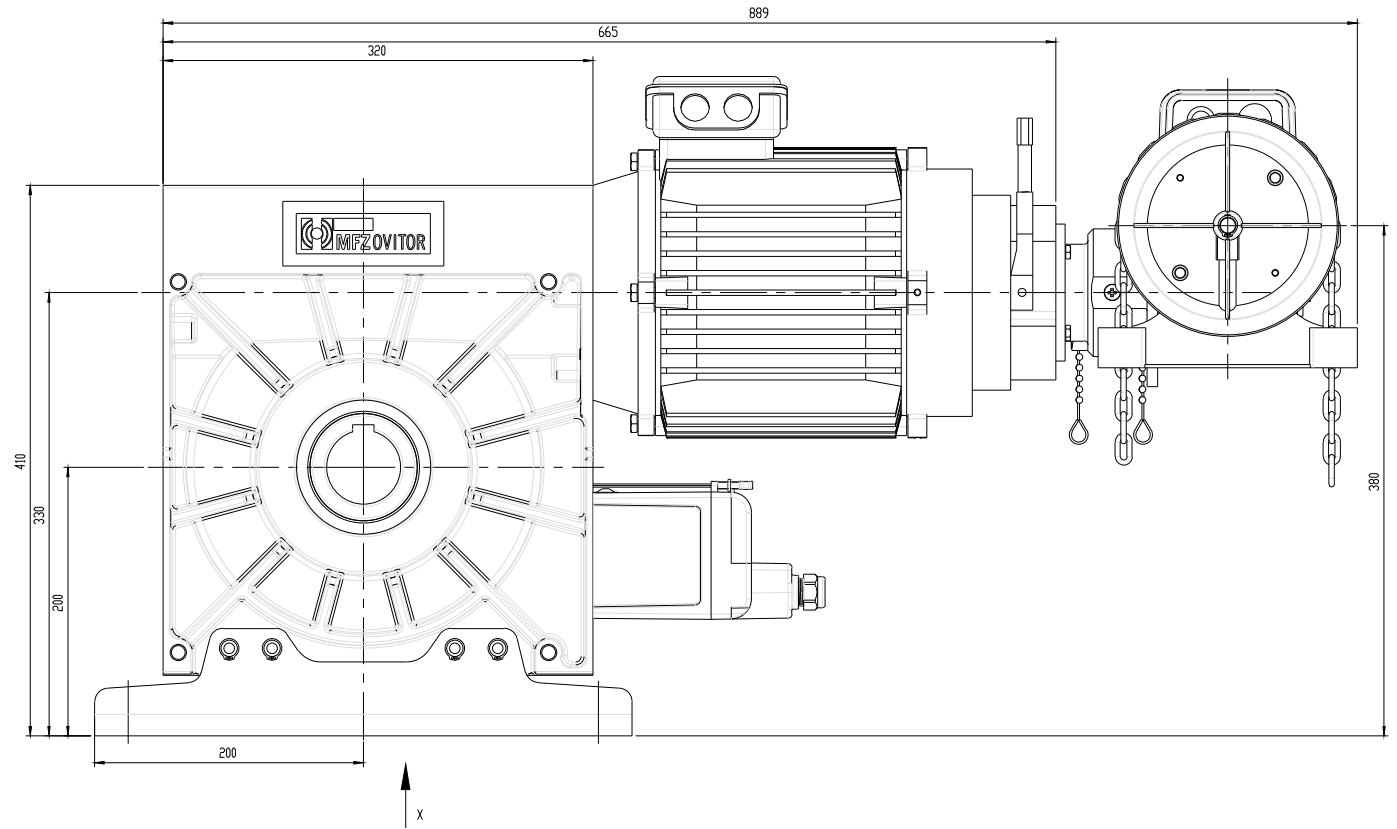
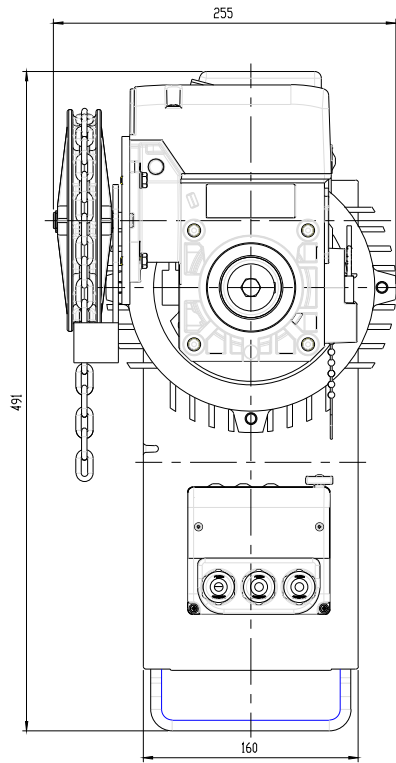
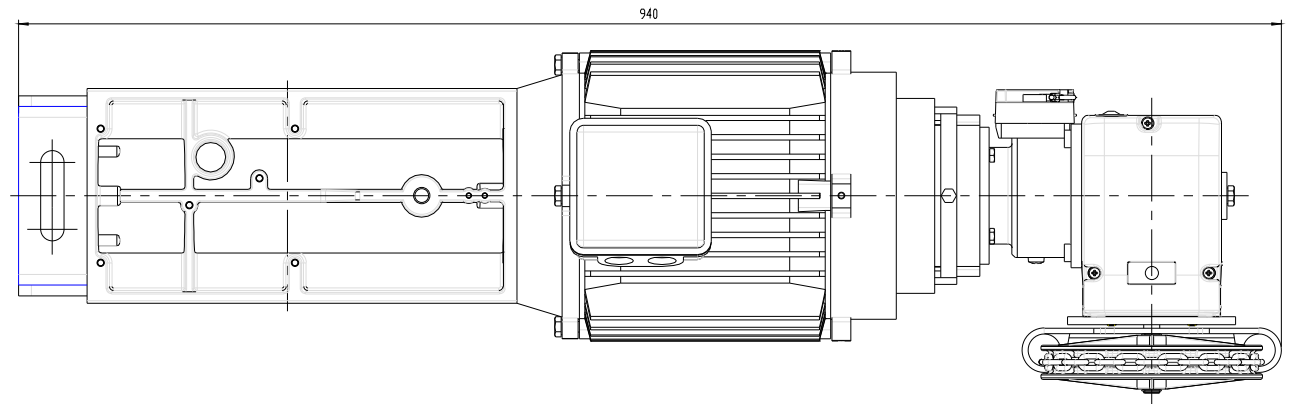
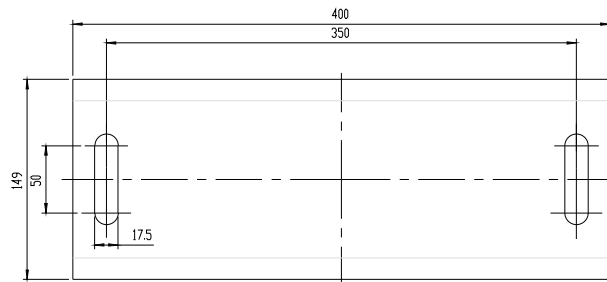


Bore Detail  
Scale 1:1



Arrow X



Specifications:			
Voltage (V)	Freq (Hz)	Amps	Power (KW)
400/3-	50	8.1	2.5
Torque(Nm)	Speed (RPM)	Rating (%)	IP
2000	8	60	54
Barnel Rev	Temp (°C)		
36	-20+60		

**ELLARD**

Roundthorne Industrial Estate  
Elard House, Floats Road  
Wythenshawe, Manchester  
M23 9VB  
Tel: 0161 945 4561, e-mail: technical@ellard.co.uk

Dwg No:		
Model:		
MDF70-200-8 KE		
Dimensions	millimeters	Scale
Drawn By		Approved
Date	13/12/2021	