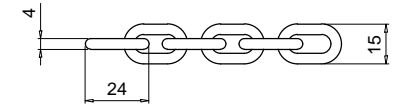
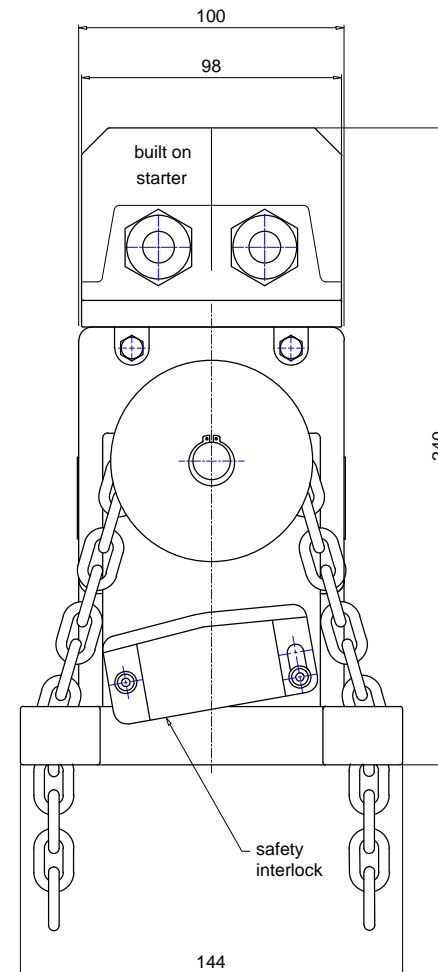
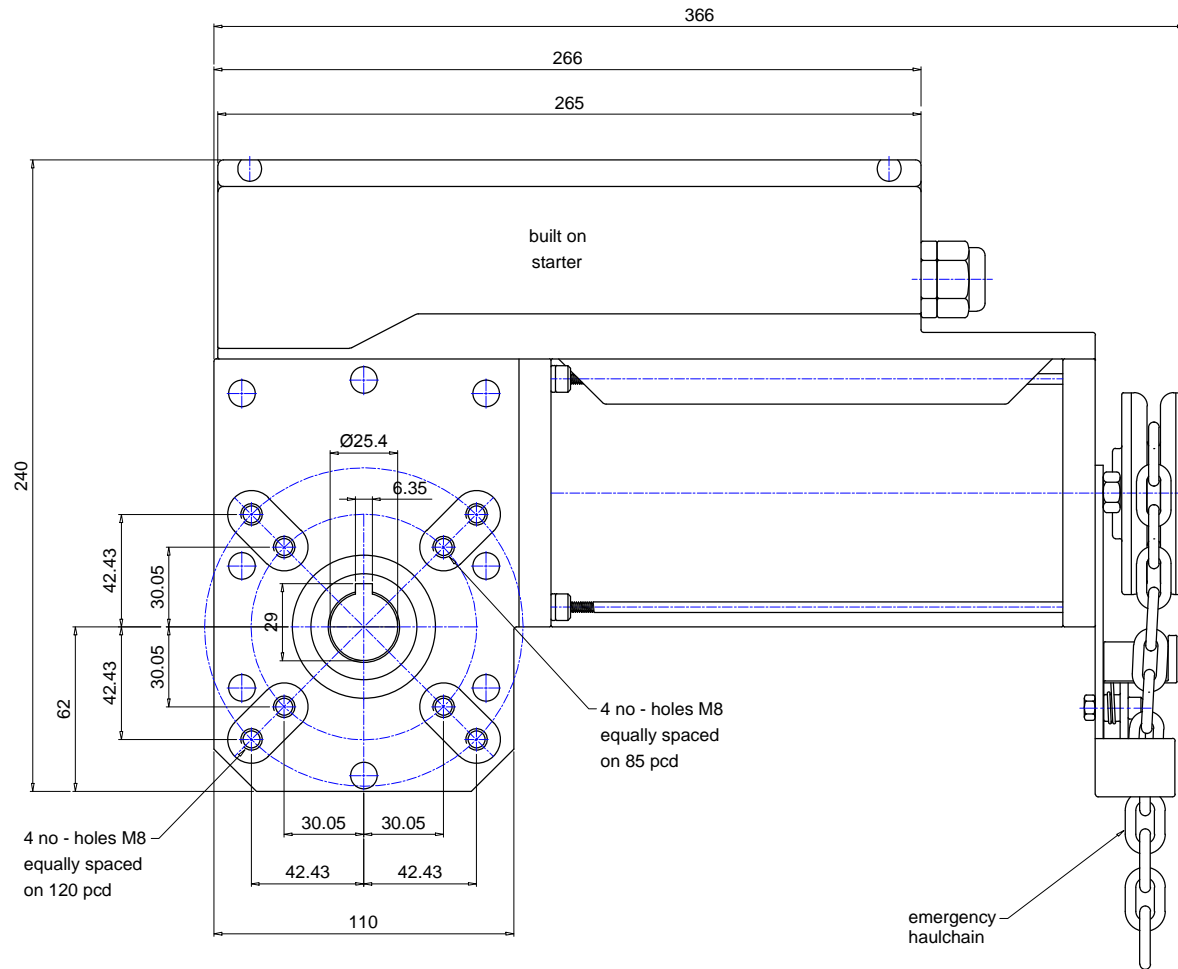


Torque	Volts	Phases	Power	F.L.C
120Nm	415V	3ph - 50Hz	550W	3.45A
IP	Ins	Rating	Limit Turns	Output
		S3 - 60%		24 rpm



DETAIL OF EMERGENCY HAULCHAIN



This drawing is the property of ELLARD LTD, it may not be reproduced without the written authorization of Ellard Limited. All intellectual property rights are expressly reserved

Title
SD120 CGB
GENERAL ARRANGEMENT (1)

Rev/Notes

Date	01/07/2021	
Drawn by	DE	
Chk'd by	AP	
Drg #	SD120 CGB General Arr (1)	

ELLARD
Roundthorne Industrial Estate
Ellard House, Floats Road
Wythenshawe, Manchester
M23 9WB
Tel: 0161 945 4561, e-mail: technical@ellard.co.uk