

Title

JM500 -3ph (Monitored PCB)
Connection Detail

Date 01/7/2021

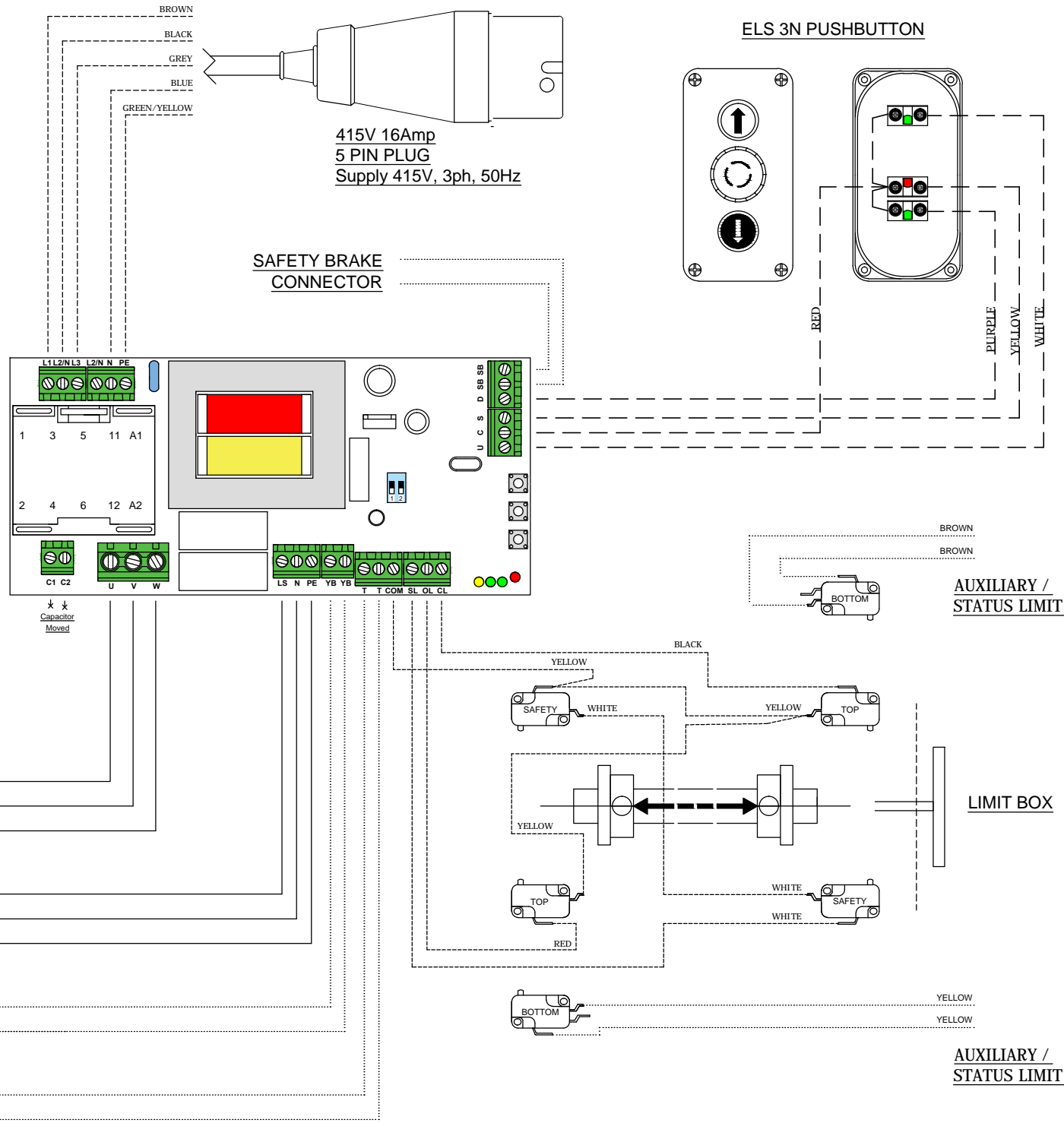
Dwn by DE

Chk'd by AP

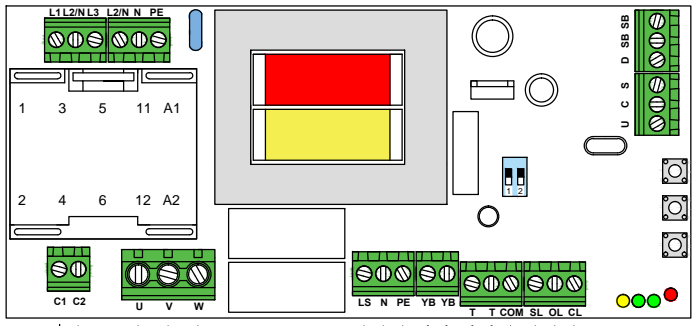
Drg # JM500 3ph (Monitored PCB) -
Connection Detail



Roundthorne Industrial Estate
Ellard House, Floats Road
Wythenshawe, Manchester M23 9WB
Tel: 0161 945 4561,
e-mail: technical@ellard.co.uk



BROWN
BLACK
GREY
BLUE
GREEN/YELLOW

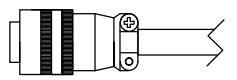


* *
Capacitor
Moved

**MOTOR
WINDINGS**

YELLOW
BROWN
BLACK

**SOLENOID
RESET
CONNECTOR**



BROWN
BLUE
GREEN/YELLOW

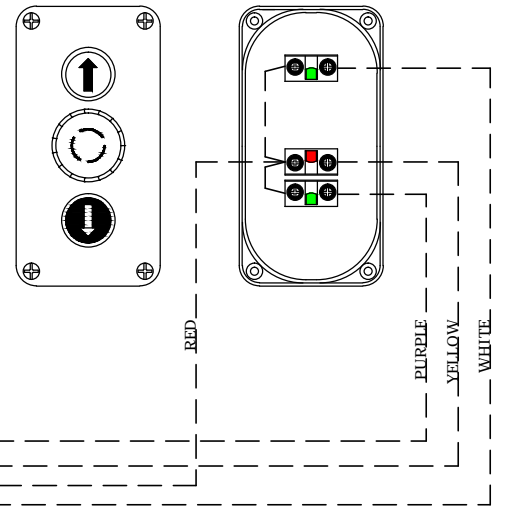
BRAKE

YELLOW
YELLOW

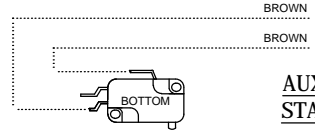
**THERMAL
FUSE**

WHITE
WHITE

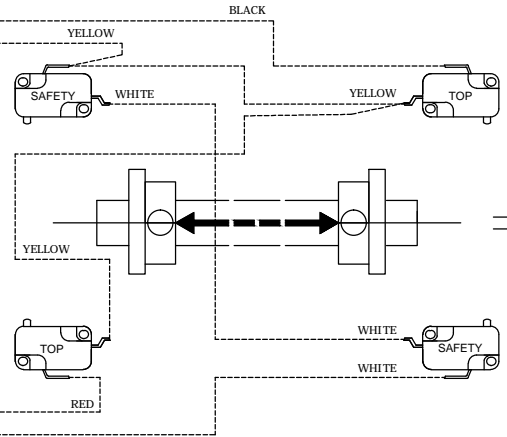
ELS 3N PUSHBUTTON



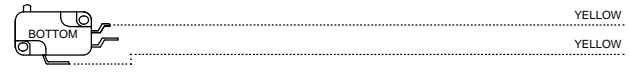
**SAFETY BRAKE
CONNECTOR**



**AUXILIARY /
STATUS LIMIT**



LIMIT BOX



**AUXILIARY /
STATUS LIMIT**