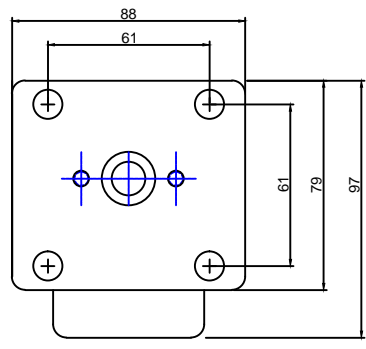
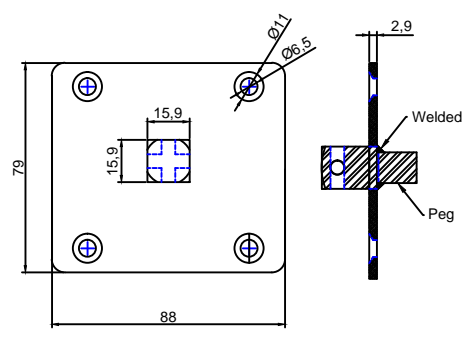


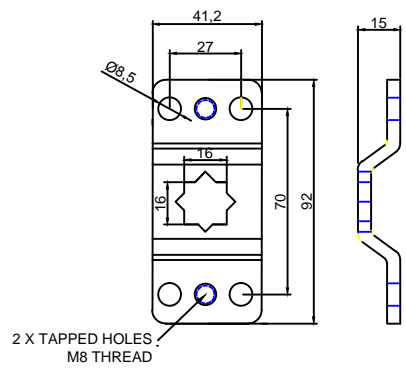
MOTOR



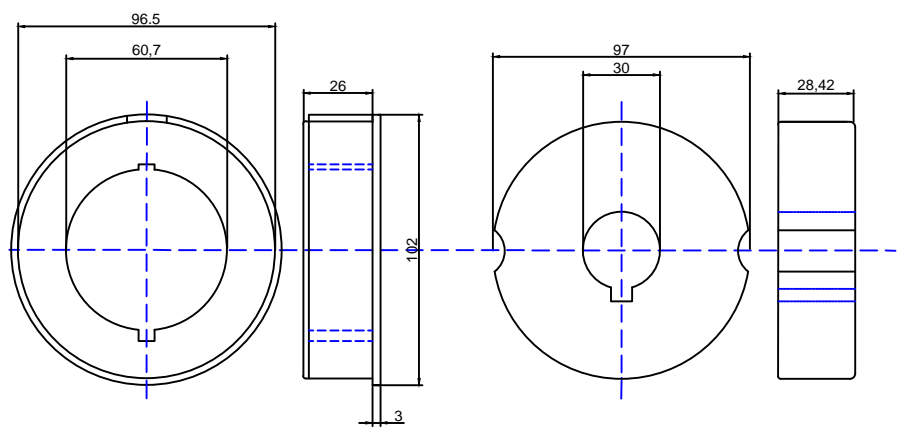
HEAD DETAIL



MOUNTING PLATE

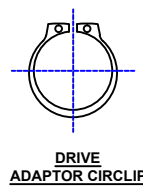


STAR BRACKET

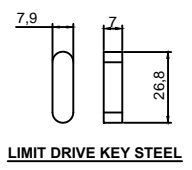


97mm LIMIT ADAPTER (PLASTIC)

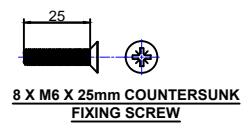
97mm DRIVE ADAPTER (ALUMINIUM)



DRIVE ADAPTOR CIRCLIP



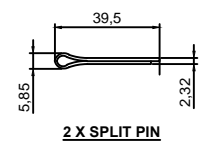
LIMIT DRIVE KEY STEEL



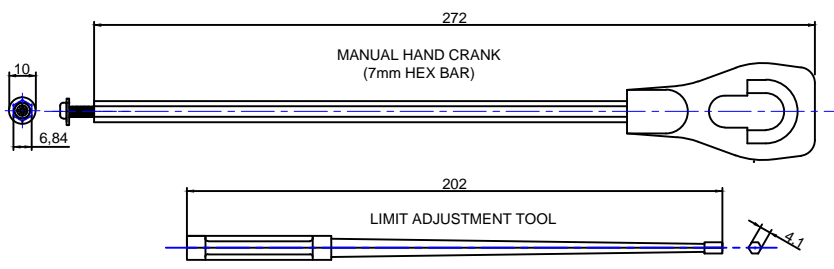
8 X M6 X 25mm COUNTERSUNK FIXING SCREW



8 X M6 NUT



2 X SPLIT PIN



MANUAL HAND CRANK (7mm HEX BAR)

LIMIT ADJUSTMENT TOOL

Specification			
Voltage	Hz	Amps	Watts
230V AC	50	2.33	520
Speed	Rating	IP	Limit Turns
9 rpm	4 mins	44	22

**ELLARD**

Roundthorne Industrial Estate  
 Ellard House, Floats Road  
 Wythenshawe, Manchester  
 M23 9WB  
 Tel: 0161 945 4561, e-mail: technical@ellard.co.uk

This drawing is the property of ELLARD LTD, it may not be reproduced without the written authorization of Ellard Limited. All intellectual property rights are expressly reserved

<b>Title</b> XP59/180M MOTOR GENERAL ARRANGEMENT STOCK CODE: 11390 (97mm ADAPTERS)	<b>Rev/Notes</b>		
	<b>Date</b>	01/11/2021	
	<b>Drawn by</b>	DE	<b>Chk'd by</b>
<b>Drg #</b>	XP59/180M General Arr		