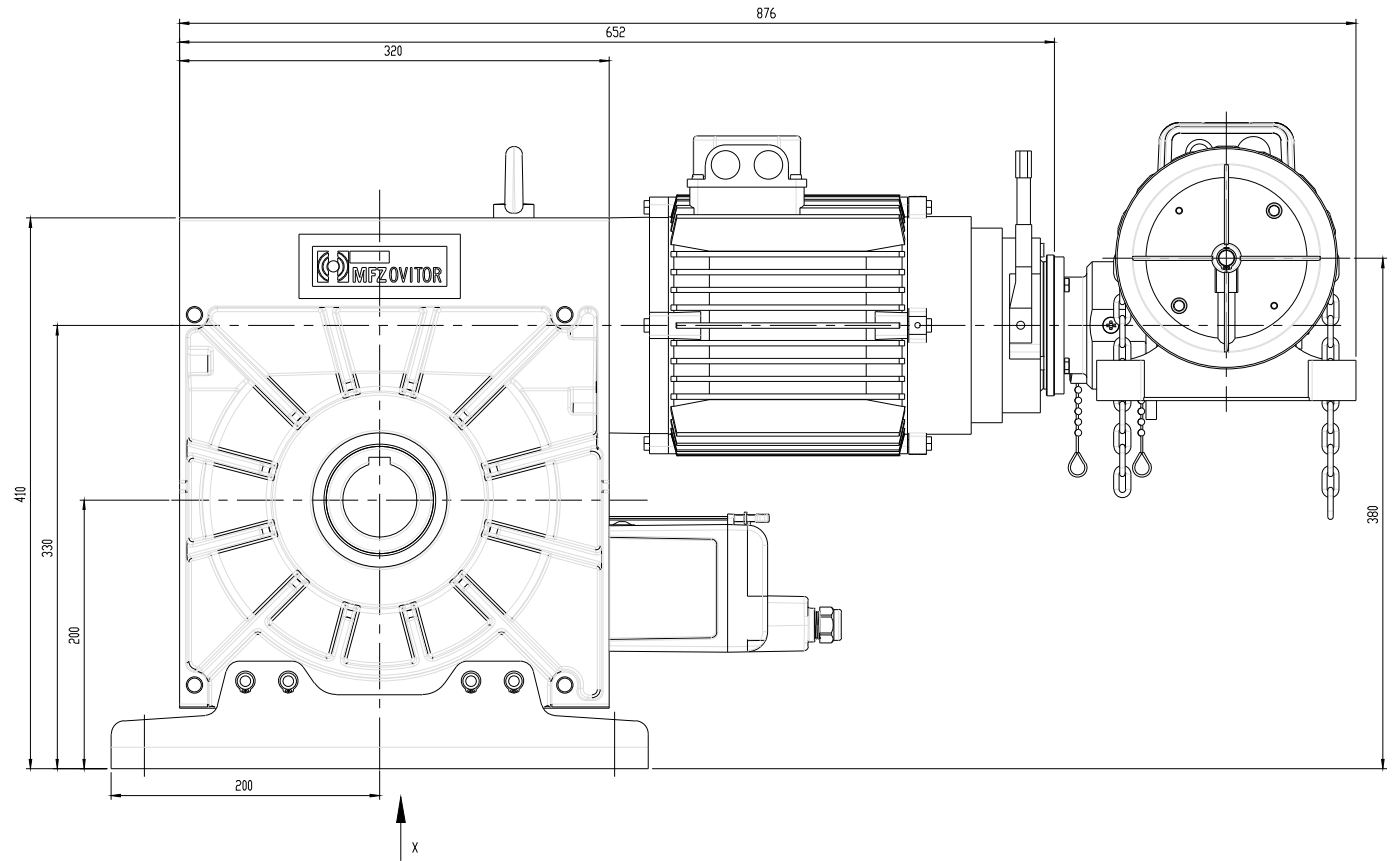
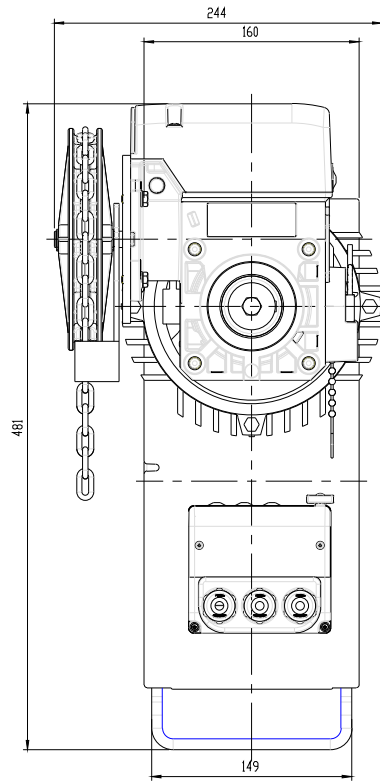
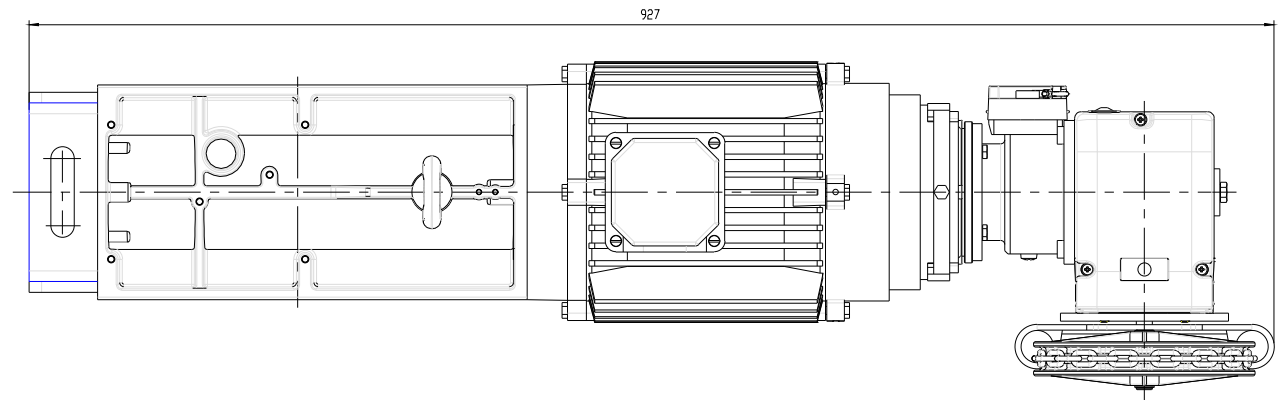
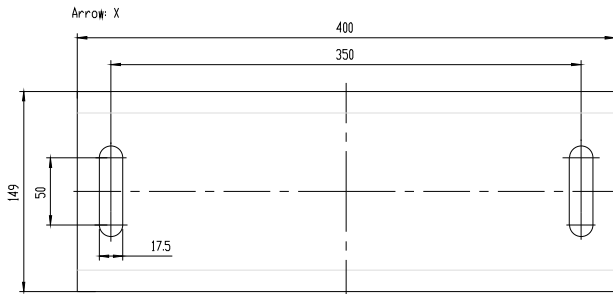


Bore Detail  
Scale 1:1



↑  
X



Specifications:			
Voltage (V)	Freq (Hz)	Amps	Power (KW)
400/3-	50	8.5	2.2
Torque(Nm)	Speed (RPM)	Rating (%)	IP
1650	8	60	54
Barrel Rev	Temp (°C)		
36	-20+60		

**ELLARD**

Roundthorne Industrial Estate  
Ellard House, Floats Road  
Wythenshawe, Manchester  
M23 9WB  
Tel: 0161 945 4561, e-mail: technical@ellard.co.uk

Dwg No:		
Model:	MDF60-165-9 KE	
Dimensions	millimeters	Scale
Drawn By		Approved
Date	13/12/2021	