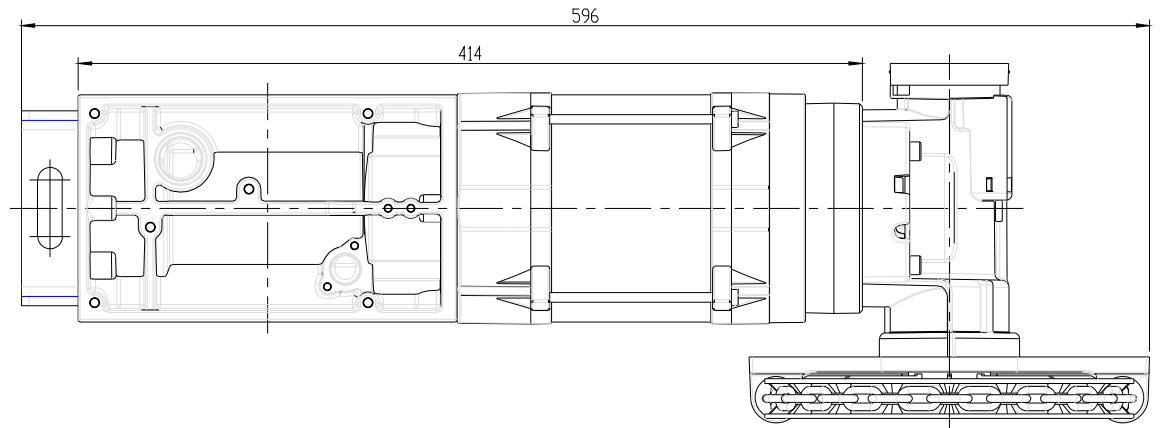
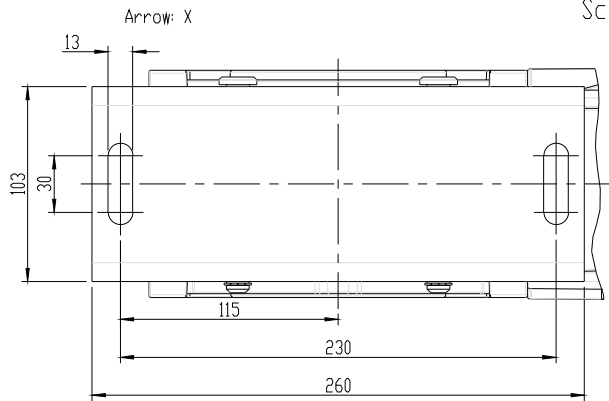


Bore Detail
Scale 1:1



Specifications:			
Voltage (V)	Freq (Hz)	Amps	Power (KW)
400/3~	50	5.1	1.1
Torque(Nm)	Speed (RPM)	Rating (%)	IP
420	12	60	54
Barnel Rev	Temp (°C)		
18	-20+60		

ELLARD

Roundthorne Industrial Estate
Elard House, Floats Road
Wythenshawe, Manchester
M23 9VB
Tel: 0161 945 4561, e-mail: technical@ellard.co.uk

Dwg No:		
Model:		
MDF30-42-12 KE		
Dimensions	millimeters	Scale
Drawn By		Approved
Date	13/12/2021	