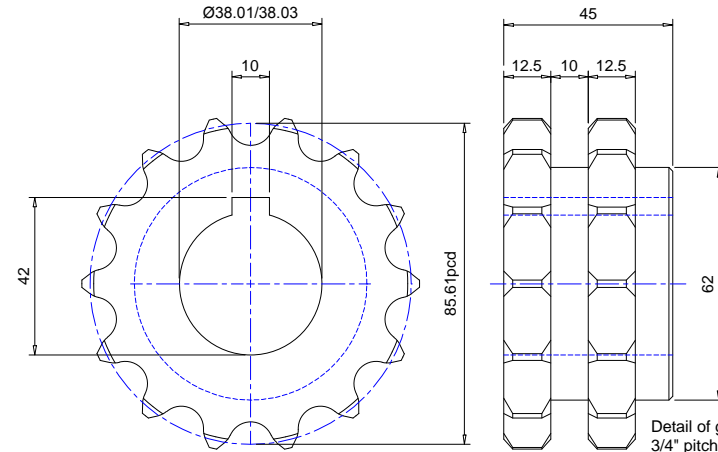
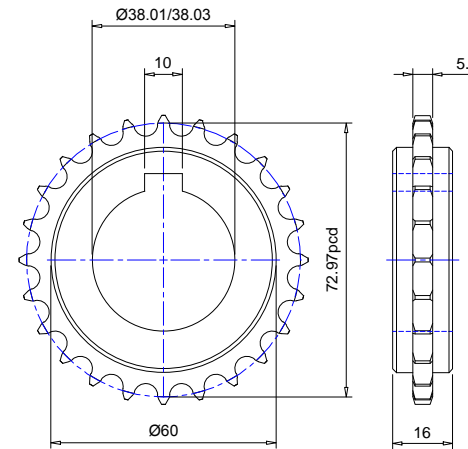


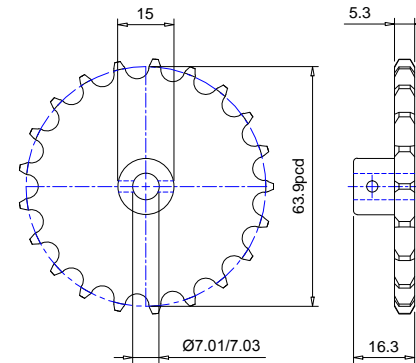
ELEVATION ON JM2200
SHOWING THE LIMIT
DRIVE CHAIN IN POSITION.



Detail of gearbox drive sprocket
3/4" pitch x 14T duplex on
85.61 pcd to suit 12B-2 chain



Detail of gearbox output limit drive sprocket
3/8" pitch x 24T on 72.9 pcd to suit 6B-1 chain



Details of drive limit sprocket
3/8" pitch x 21T on 63.9 pcd to suit 6B-1 chain

This drawing is the property of ELLARD LTD, it may not be reproduced without the written authorization of Ellard Limited. All intellectual property rights are expressly reserved

Title

JM2200
GENERAL ARRANGEMENT (2)

Rev/Notes

Date	01/11/2020	
Drawn by	DE	
Chk'd by	JM	
Drg #	JM2200 - General Arr (2)	

ELLARD

Roundthorne Industrial Estate
Ellard House, Floats Road
Wythenshawe, Manchester
M23 9WB
Tel: 0161 945 4561, e-mail: technical@ellard.co.uk