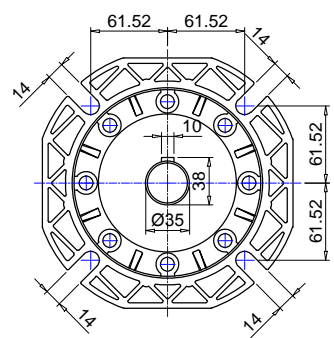
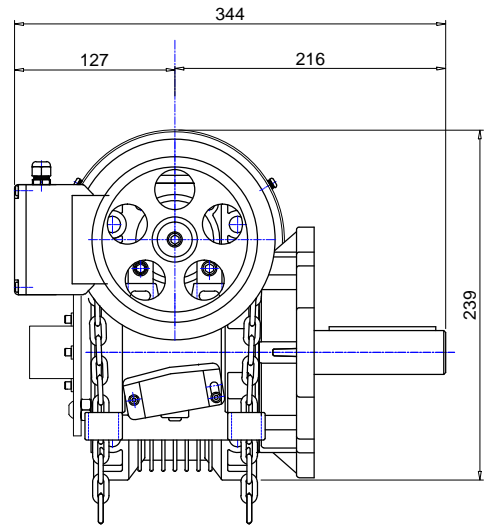
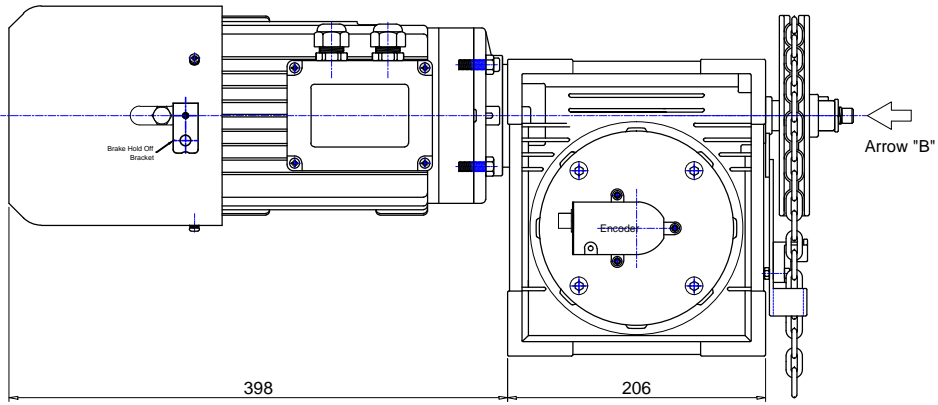


VIEW ON ARROW "A"

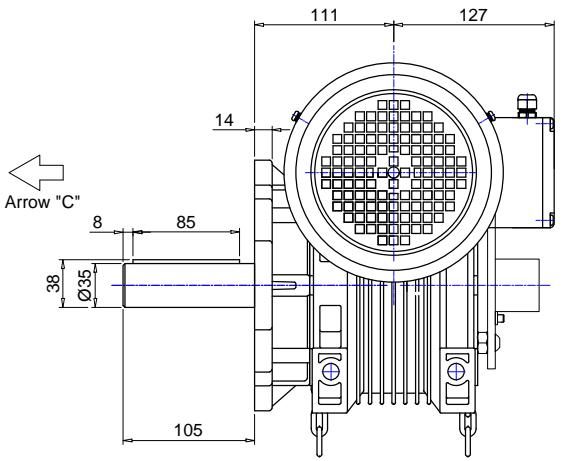
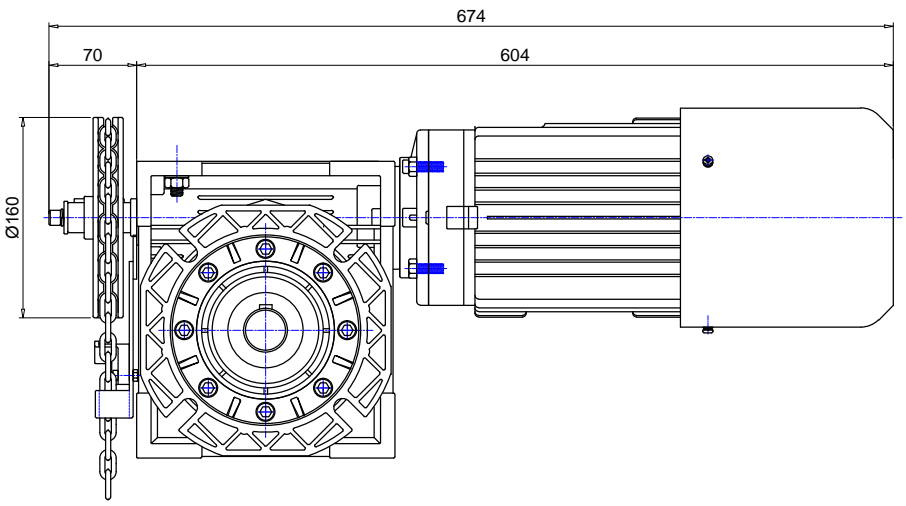


DETAILS OF THE MOUNTING FLANGE AND OUTPUT SHAFT

Arrow "A"  
↓



VIEW ON ARROW "B"



VIEW ON ARROW "C"

Torque	Volts	Phases	Power (W)	F.L.C
300Nm	415V	3ph - 50Hz	1500	3.7A
IP	Ins	Rating	Limit Turns	Output
54	'F'	100%	Multi-Turn	24 rpm

**ELLARD**  
 Roundthorne Industrial Estate  
 Ellard House, Floats Road  
 Wythenshawe, Manchester  
 M23 9WB  
 Tel: 0161 945 4561, e-mail: technical@ellard.co.uk

*This drawing is the property of ELLARD LTD, it may not be reproduced without the written authorization of Ellard Limited. All intellectual property rights are expressly reserved*

<u>Title</u>	<u>Rev/Notes</u>
FT300 (100%) WITH ELECTRONIC LIMITS FLANGE OPERATOR GENERAL ARRANGEMENT (1)	

<u>Date</u>	01/07/2021		
<u>Drawn by</u>	DE	<u>Chk'd by</u>	AP
<u>Drg #</u>	FT300 (100%)- digi- General Arr (1)		