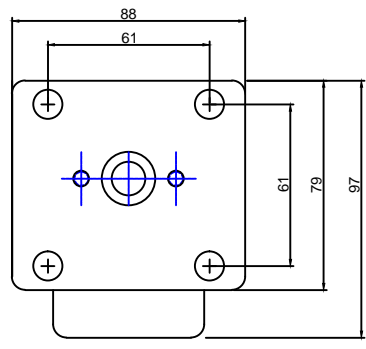
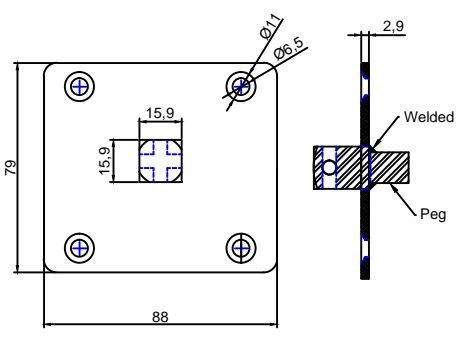


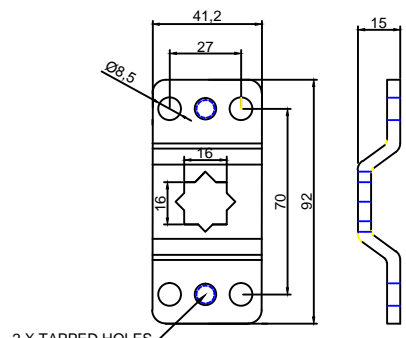
MOTOR



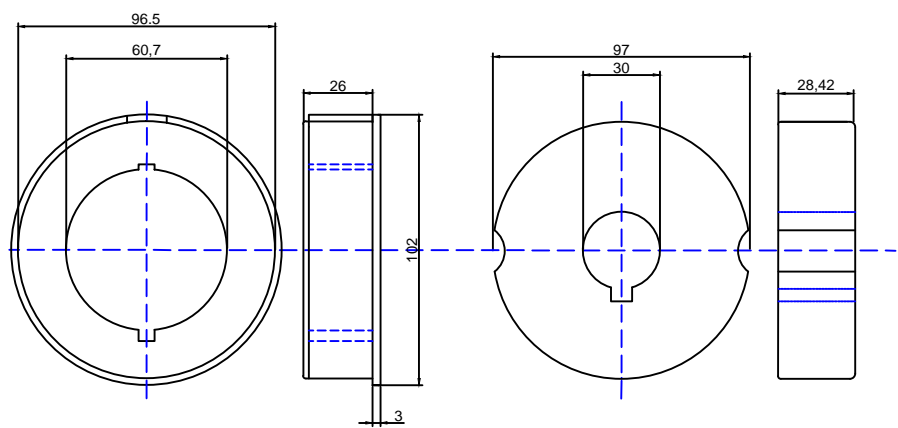
HEAD DETAIL



MOUNTING PLATE

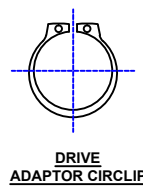


STAR BRACKET

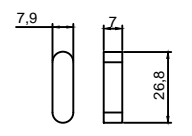


97mm LIMIT ADAPTER (PLASTIC)

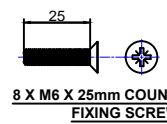
97mm DRIVE ADAPTER (ALUMINIUM)



DRIVE ADAPTOR CIRCLIP



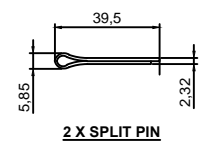
LIMIT DRIVE KEY STEEL



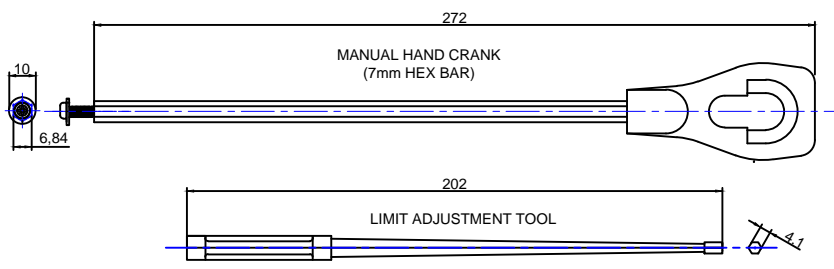
8 X M6 X 25mm COUNTERSUNK FIXING SCREW



8 X M6 NUT



2 X SPLIT PIN



MANUAL HAND CRANK (7mm HEX BAR)

LIMIT ADJUSTMENT TOOL

| Specification |        |      |             |
|---------------|--------|------|-------------|
| Voltage       | Hz     | Amps | Watts       |
| 230V AC       | 50     | 1.74 | 390         |
| Speed         | Rating | IP   | Limit Turns |
| 10 rpm        | 4 mins | 44   | 22          |

**ELLARD**

Roundthorne Industrial Estate  
 Ellard House, Floats Road  
 Wythenshawe, Manchester  
 M23 9WB  
 Tel: 0161 945 4561, e-mail: technical@ellard.co.uk

This drawing is the property of ELLARD LTD, it may not be reproduced without the written authorization of Ellard Limited. All intellectual property rights are expressly reserved

|   |                       |            |                 |
|---|-----------------------|------------|-----------------|
| <b>Title</b><br>XP59/150M TUBE MOTOR<br>GENERAL ARRANGEMENT<br>STOCK CODE: 11386<br>(97mm ADAPTERS) | <b>Rev/Notes</b>      |            |                 |
|   | <b>Date</b>           | 01/11/2021 |                 |
|   | <b>Drawn by</b>       | DE         | <b>Chk'd by</b> |
| <b>Drg #</b>  | XP59/150M General Arr |            |                 |