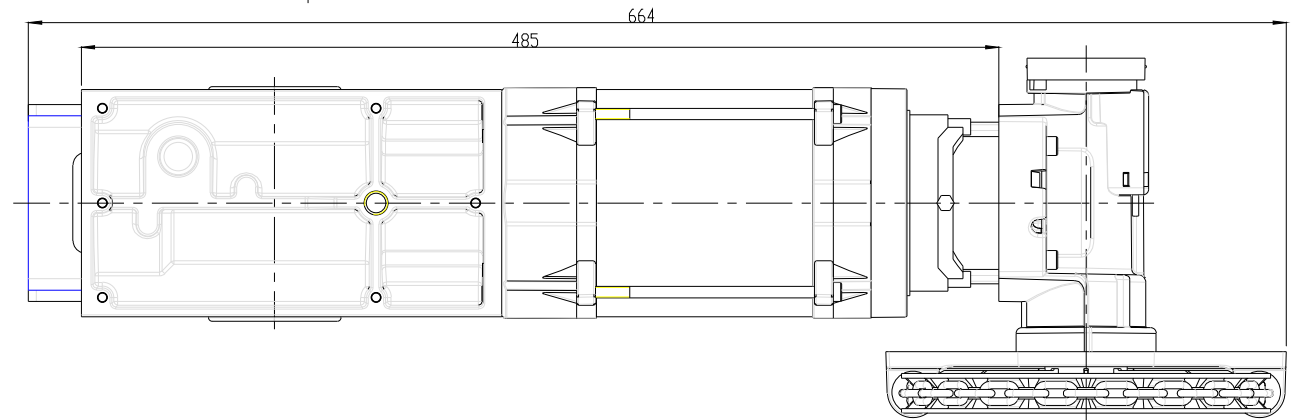
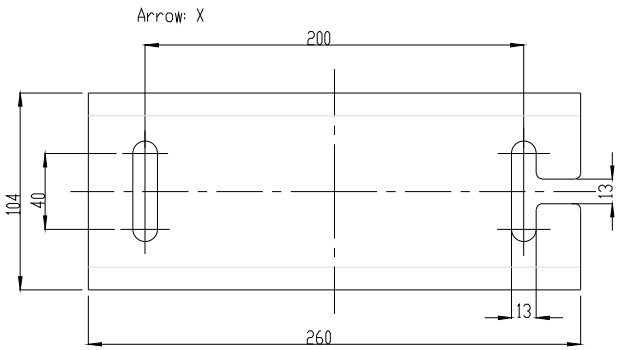


Bore Detail
Scale 1:1



Specifications:

Voltage (V)	Freq (Hz)	Amps	Power (KW)
400/3~	50	3.9	1.4
Torque(Nm)	Speed (RPM)	Rating (%)	IP
750	10	60	54
Barrel Rev	Temp (°C)		
36	-20+60		

ELLARD

Roundthorne Industrial Estate
 Ellard House, Floats Road
 Wythenshawe, Manchester
 M23 9WB
 Tel: 0161 945 4561, e-mail: technical@ellard.co.uk

Dwg No:			
Model:	MDF50-75-10 KE		
Dimensions	millimeters	Scale	
Drawn By		Approved	
Date	13/12/2021		