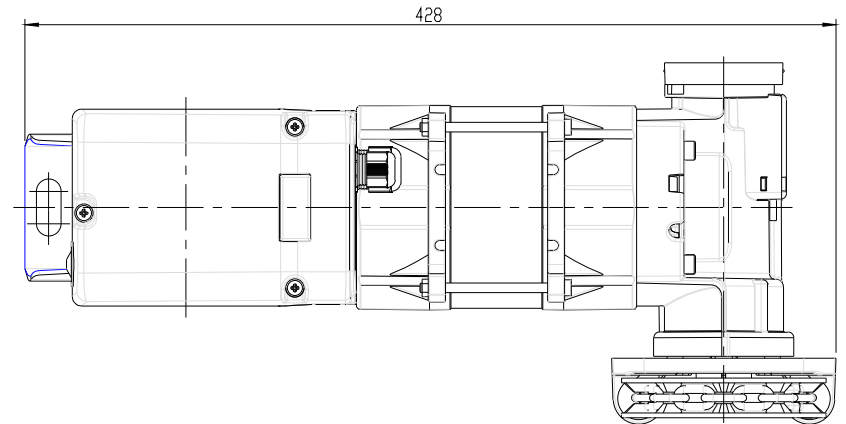
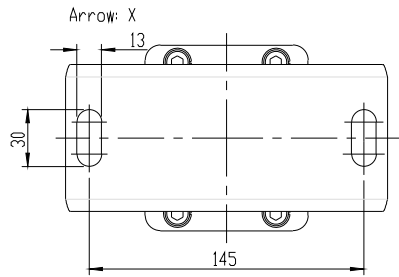


Bore Detail
Scale 1:1



Specifications:

Voltage (V)	Freq (Hz)	Amps	Power (KW)
400/3~	50	1.9	0.45
Torque(Nm)	Speed (RPM)	Rating (%)	IP
140	12	60	54
Barnel Rev	Temp (°C)		
13	-20+60		

ELLARD

Roundthorne Industrial Estate
Elard House, Floats Road
Wyhenshaw, Manchester
M23 9WB
Tel: 0161 945 4561, e-mail: technical@ellard.co.uk

Dwg No:			
Model:	MDF05-14-12 KE		
Dimensions	millimeters	Scale	
Drawn By		Approved	
Date	13/12/2021		