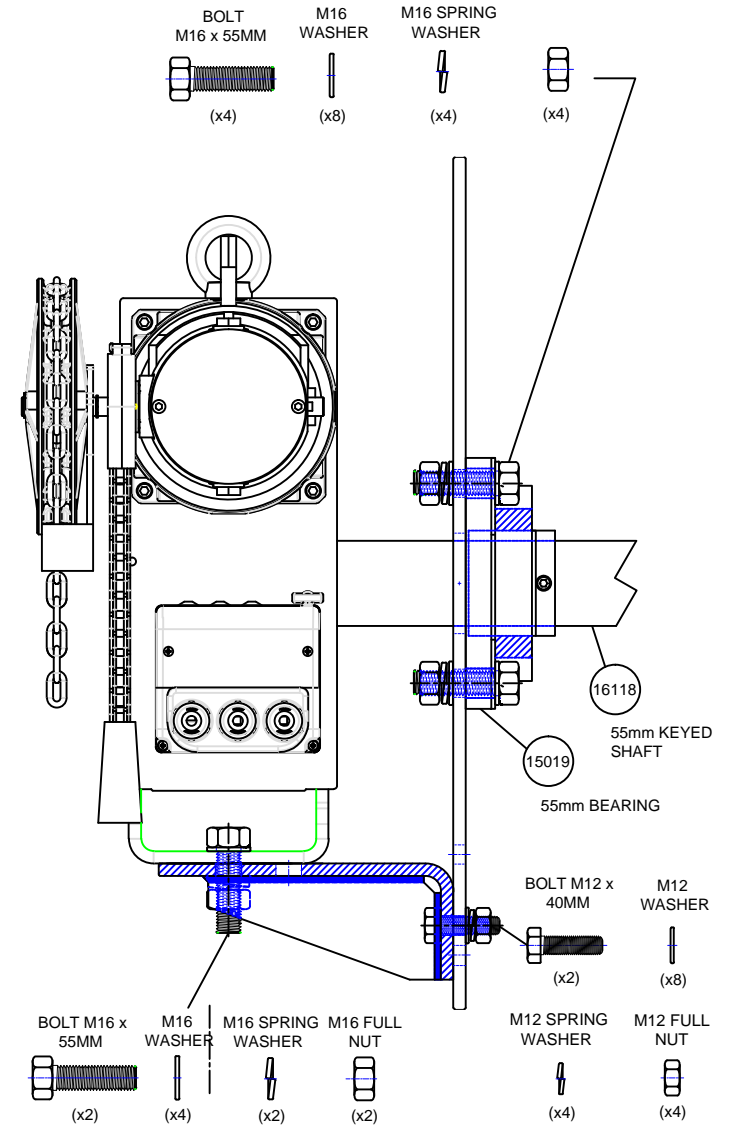
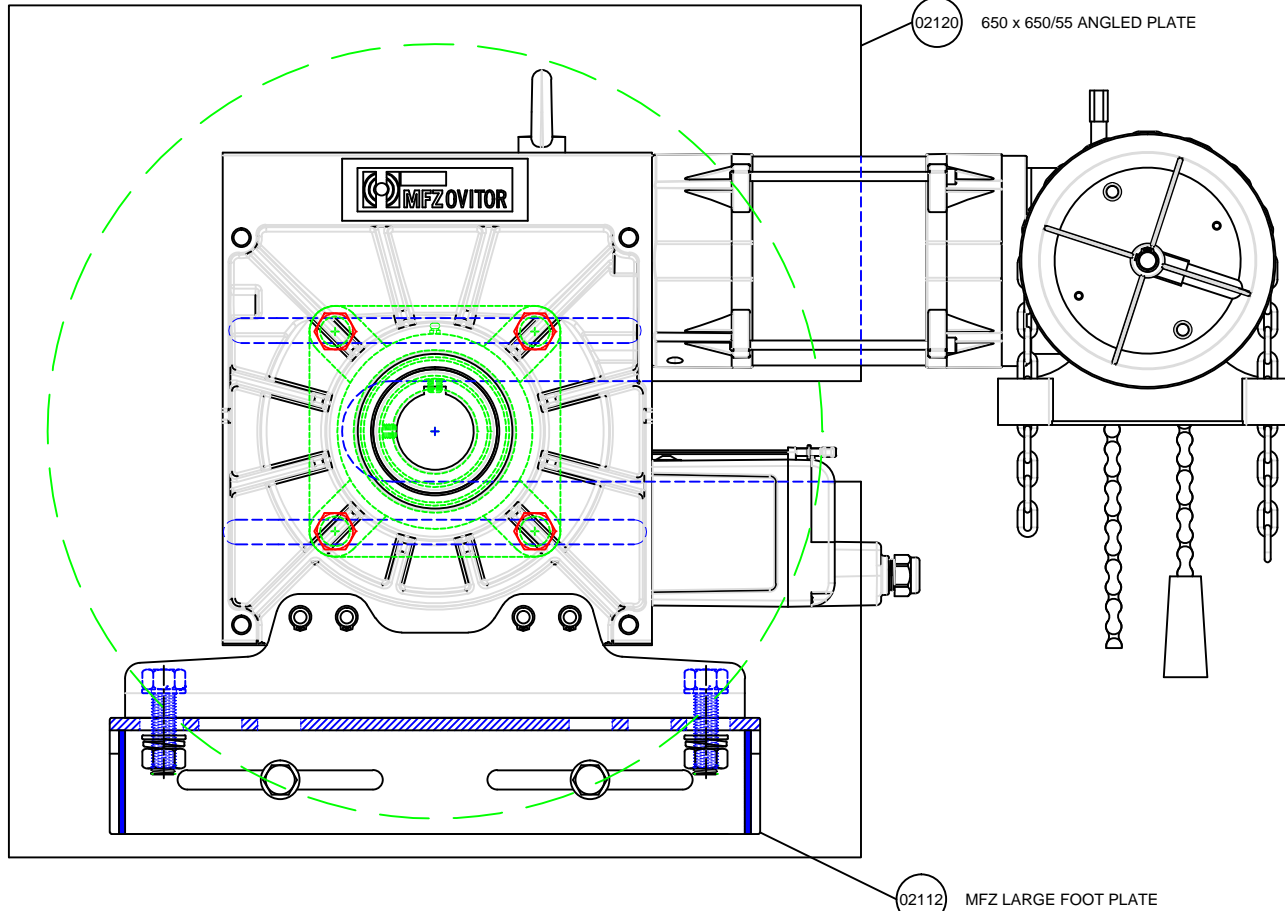


OPTION

- 02117 550 x 550/55 FLAT PLATE
- 02118 550 x 550/55 ANGLED PLATE
- 02119 650 x 650/55 FLAT PLATE
- 02120 650 x 650/55 ANGLED PLATE



- BOLT M16 x 55MM (x4)
- M16 WASHER (x8)
- M16 SPRING WASHER (x4)

- BOLT M12 x 40MM (x2)
- M12 WASHER (x8)
- M12 SPRING WASHER (x4)
- M12 FULL NUT (x4)
- BOLT M16 x 55MM (x2)
- M16 WASHER (x4)
- M16 SPRING WASHER (x2)
- M16 FULL NUT (x2)

This drawing is the property of ELLARD LTD, it may not be reproduced without the written authorization of Ellard Limited. All intellectual property rights are expressly reserved



Roundthorne Industrial Estate
 Ellard House, Floats Road
 Wythenshawe, Manchester
 M23 9WB
 Tel: 0161 945 4561, e-mail: technical@ellard.co.uk

Title

**MDF60-100-9 ASSEMBLY
 TO (550mm) MOUNTING PLATE,
 LARGE FOOT PLATE, 55MM BEARING
 AND FIXINGS**

Rev/Notes

Date 10/11/2021

Drawn by DE Chk'd by AP

Drg # **MDF60-100-9 + Mounting Plate
 Assembly**