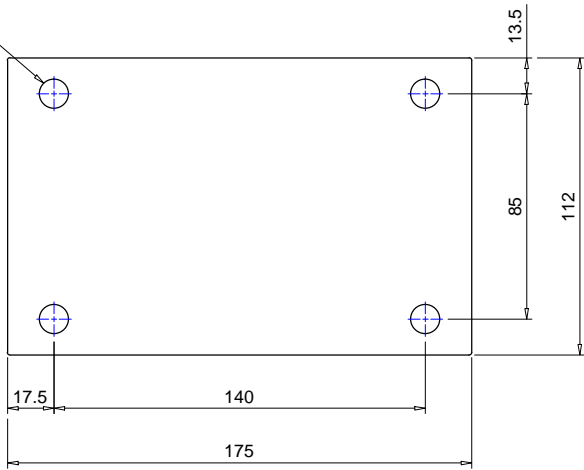
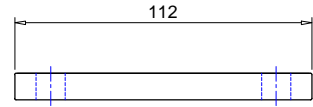
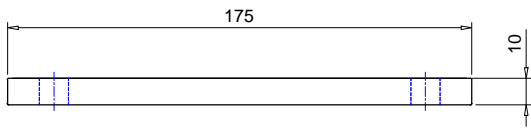


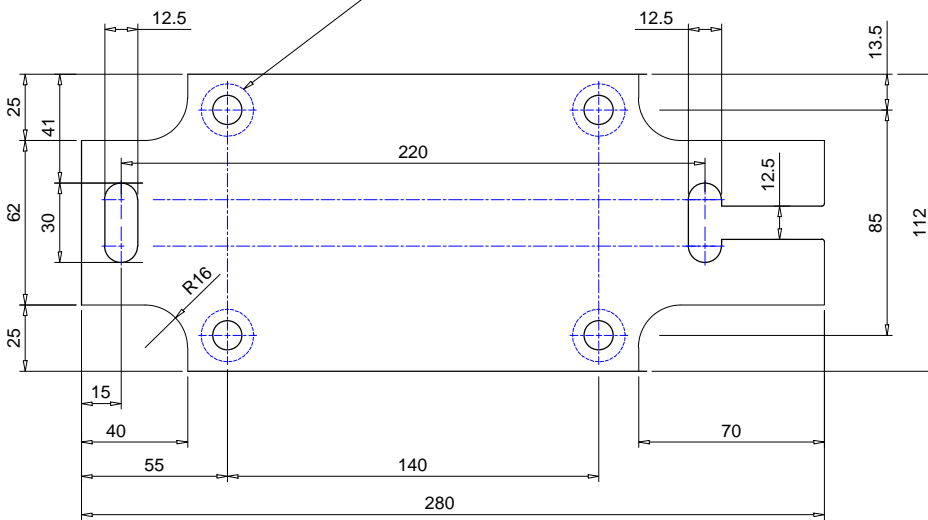
4 no - holes  
punch Ø11



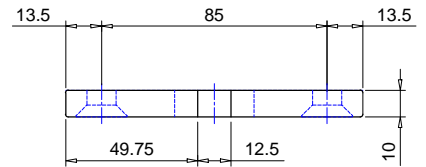
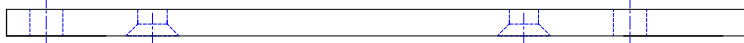
10mm thick rubber  
buffer pad



4 no - holes  
drill Ø11 &  
c'sink Ø19



10mm thick mild steel  
mounting foot  
Finish - Galvanised



Revision / Notes:

This drawing is the property of ELLARD LTD, it may not be reproduced without the written authorisation of Ellard Limited. All interlectual property rights are expressly reserved



Ellard House  
Floats Road  
Roundthorn Industrial Estate  
Wythenshawe, Manchester  
M23 9WB

Tel: 0161 945 4561  
Fax: 0161 945 4566

Title

DDO260 DIRECT DRIVE OPERATOR  
FOOT DETAIL

Date 01/08/2020

Drawn by D. England

Chk'd by J. Monks

Drg # DDO260-Foot Detail