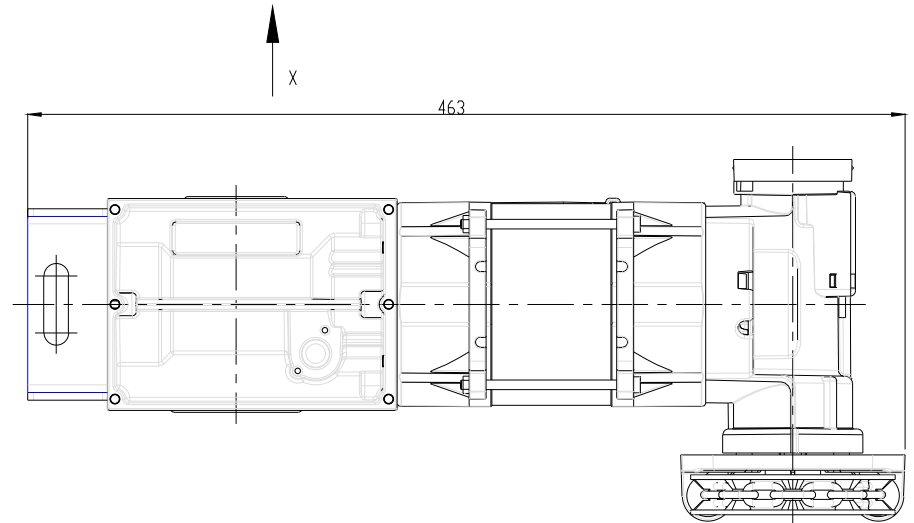


Bore Detail
Scale 1:1



Specifications:			
Voltage (V)	Freq (Hz)	Amps	Power (KW)
400/3~	50	2.8	0.75
Torque(Nm)	Speed (RPM)	Rating (%)	IP
220	12	60	54
Barnel Rev	Temp (°C)		
18	-20+60		

ELLARD

Roundthorne Industrial Estate
Elard House, Floats Road
Wythenshawe, Manchester
M23 9WB
Tel: 0161 945 4561, e-mail: technical@ellard.co.uk

Dwg No:			
Model:	MDF20-22-12 KE		
Dimensions	millimeters	Scale	
Drawn By		Approved	
Date	13/12/2021		