

SENTIR EDGE GE F SERIES

Self Assembly Edges 45ST, 65ST, 85ST & 115SK

- New profile with even faster assembly procedure
- Improved switching results and enhanced overtravel distances
- Assemble in minutes
- Assemble on site
- No need for Glue Sets
- Fully Compliant Edge
- No tools required after cutting
- IP65 Rated
- Enhanced Switching Results
- Suitable for various types of gates, doors and machines
- No waiting for assembly

Variations

- 45STLi - Single-sided inwards sealing lip
- 65STLi - Single-sided inwards sealing lip
- 85STLi - Single-sided inwards sealing lip
- 115SKLi - Single-sided inwards sealing lip



45ST

65ST

85ST

115SK



45STLi

65STLi

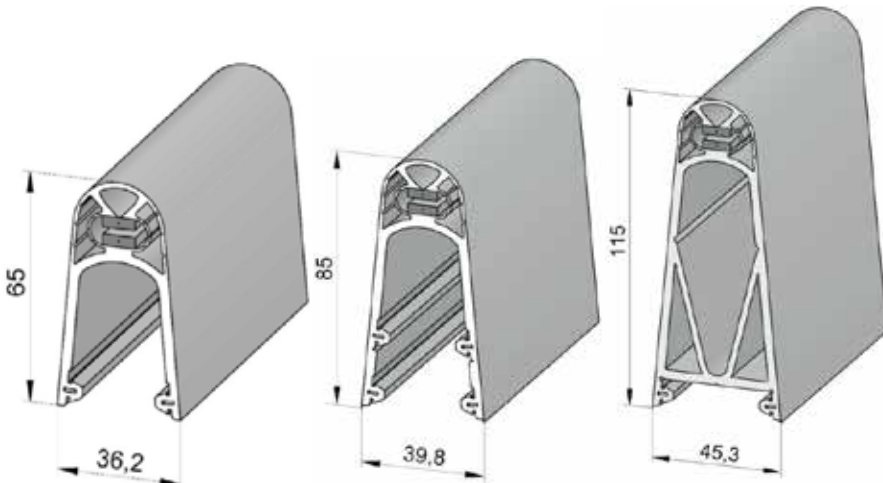
85STLi

115SKLi

GE F65 ST

GE F85 ST

GE F115 SK



GE F45 ST



ACCESSORIES

45ST

Aluminium mounting profile AL 30-10
 Connecting plug KS 8 L x.x m
 Terminating plug KS 8 W

65ST

Aluminium mounting profile AL 30-10
 AL 40-10
 Connecting plug KS 8 L x.x m
 Terminating plug KS 8 W

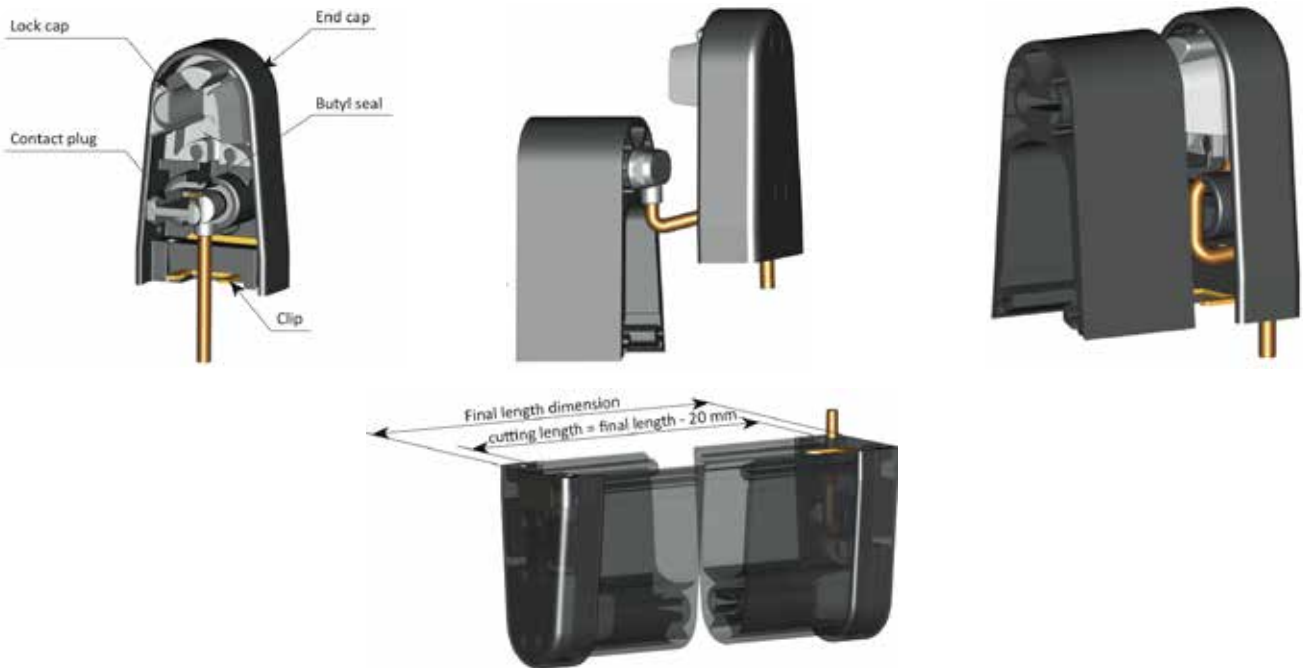
85ST

Aluminium mounting profile AL 30-10
 AL 40-10
 Connecting plug KS 8 L x.x m
 Terminating plug KS 8 W

115SK

Aluminium mounting profile AL 40-10
 Connecting plug KS 8 L x.x m
 Terminating plug KS 8 W

SENTIR EDGE GE F SERIES

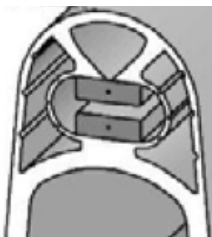


DESCRIPTION	45mm PROFILE	65mm PROFILE	85mm PROFILE	115mm PROFILE
MODEL	SENTIR edge 45 ST	SENTIR edge 65 ST	SENTIR edge 85 ST	SENTIR 115 SK
CODE	1509-0460	1502-0390	1509-0472	1509-0490
DIMENSIONS	W 34mm x H 65mm	W 36,2mm x H 65mm	W 35mm x H 85mm	W 45,3mm x H 115mm
APPROVAL	BS-EN 1760-2	BS-EN 1760-2	BS-EN 1760-2	BS-EN 1760-2
DELIVERY LENGTH	25m	25m	25m	15m
WEIGHT KG/M	0,6	0,5	0,9	2,0
PROTECTION CLASS	IP 65	IP 65	IP 65	IP 65
OPERATING TEMPERATURE	-10°C --> +55°C	-10°C --> +55°C	-10°C --> +55°C	-10°C --> +55°C
MAXIMUM SERIES CONNECTION	5 contact edges	5 contact edges	5 contact edges	5 contact edges
ELECTRICAL STRENGTH	24V 100mA	24V 100mA	24V 100mA	24V 100mA
ACTUATING FORCE*	70,2 N	65,0 N	48,5 N	71,2 N
RESPONSE DISTANCE*	5,5 mm	5mm	4 mm	4,6 mm
OVERTRAVEL TO 250N*	13,1 mm	34 mm	56 mm	39,4 mm
OVERTRAVEL TO 400N*	15,1 mm	37 mm	58.0 mm	59 mm
OVERTRAVEL TO 600N*	16,2 mm	40 mm	N/A mm	67,3 mm

*Test speed 10mm /s / 20°C / according to EN 1760-2

WE ARE ALSO MANUFACTURERS AND SUPPLIERS OF:

GATE AUTOMATION - BARRIER AUTOMATION - INTERCOM SYSTEMS - SAFETY SYSTEMS - GATE HARDWARE



ELLARD

Ellard House
Floats Road
Roundthorn Industrial Estate
Wythenshawe
Manchester M23 9WB

Tel: 0161 945 4561
Fax: 0161 945 4566
Email: sales@ellard.co.uk
Website: www.ellard.co.uk

